

KULEVENTIL

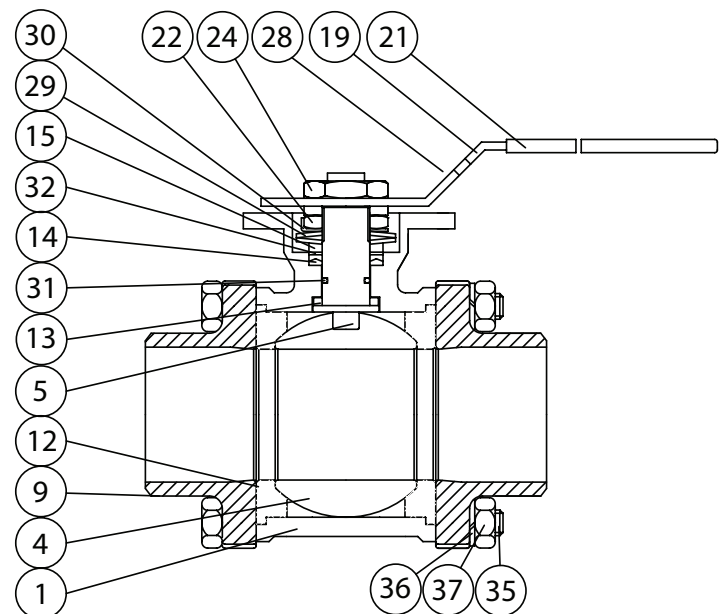
TYPE B-321



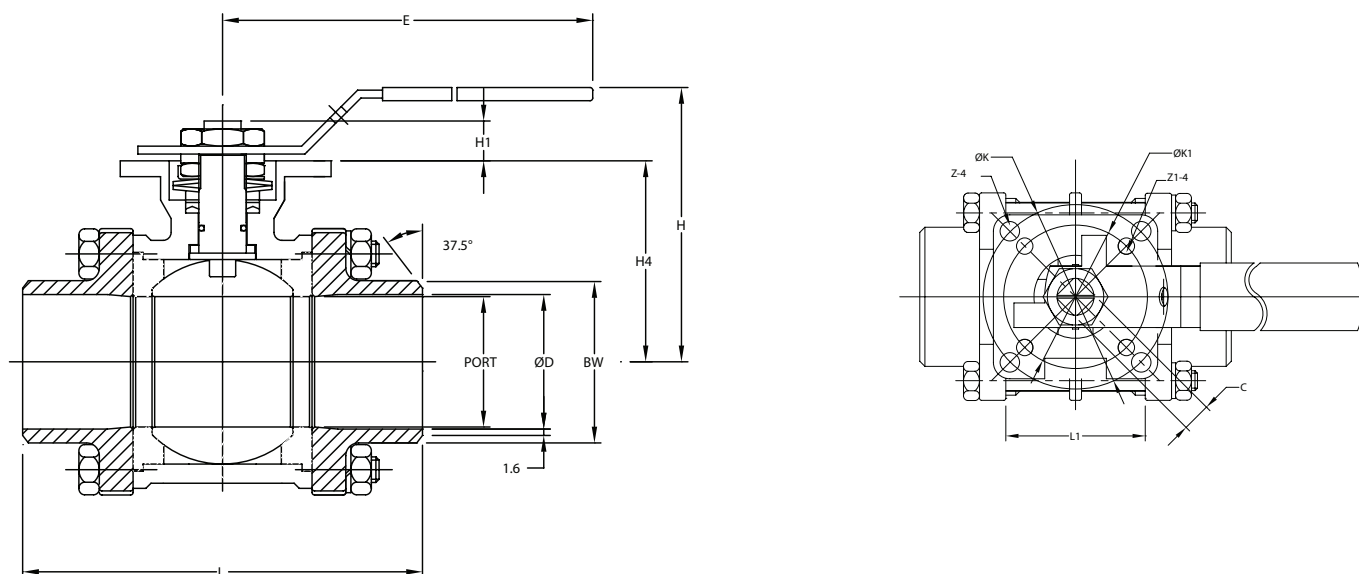
Kuleventil type B-321 benyttes i all type industri og offshore for avstenging av væsker og gasser. Den leveres med spak eller med direktemontert aktuator.

- Ventilen leveres med sveiseender
- Ventilen er 3-delt
- Trykklasser PN 63 (1000 WOG).
- Fullt løp
- Syrefast utførelse.
- Glassfiberforsterket PTFE-tetning
- ISO 5211 for direktemontasje av aktuator

POS	Forklaring	Materiale
1	Hus	Syrefast stål CF8M
4	Kule	Syrefast stål CF8M
5	Spindel	Syrefast stål SS.316
9	Endestykke	Syrefast stål CF8M
12	Sete	R-PTFE
13	Skive	R-PTFE
14	Spindel tetning	R-PTFE
15	Gland bush	Syrefast stål SS.304
19	Håndtak	Syrefast stål SS.304
21	Plastbeskyttelse	PVC
22	Mutter	Rustfritt stål SS.304
24	Mutter	Rustfritt stål SS.304
28	Håndtak	Rustfritt stål SS.304
29	Skive	Rustfritt stål SS.304-CSP
30	Skive	Rustfritt stål SS.304
31	O-ring	VITON
32	Pakkbokspakning	R-PTFE
35	Bolt	Rustfritt stål SS.304
36	Skive	Rustfritt stål SS.304
37	Mutter	Rustfritt stål SS.304



KULEVENTIL TYPE B-321



DN	mm	8	10	15	20	25	32	40	50	65	80	100
	Inch	¼"	3/8"	½"	¾"	1"	1-1/4"	1-1/2"	2"	2-1/2"	3"	4"
PORT		11,0	12,5	15,0	20,0	25,0	32,0	38,1	50,0	62,7	77,9	100,0
D		11,0	12,5	15,8	20,9	26,6	35,1	40,9	52,5	62,7	77,9	102,3
L		63,5	63,5	63,5	72,5	81,0	94,5	108	121,5	157,5	190,0	225,0
E		112,0	112,0	112,0	112,0	136,0	185,0	197,9	197,9	267,0	267,0	322,0
H		73,0	73,0	73,0	80,8	90,5	98,7	115,3	124,0	155,0	208,5	216,7
H1		8,5	8,5	8,5	8,5	11,4	11,4	14,0	13,7	18,0	18,0	18,0
H4		37,0	37,0	37,0	45,0	53,5	59,0	74,8	83,5	108,8	118,3	153,8
C		9,0	9,0	9,0	9,0	11,1	11,0	14,0	14,0	17,0	17,0	17,0
K		F05	F05	F05	F05	F05	F05	F07	F07	F10	F10	F10
K1		F03	F03	F03	F03	F03	F03	F05	F05	F07	F07	F07
Z-4		7,0	7,0	7,0	7,0	7,0	7,0	9,0	9,0	11,0	11,0	11,0
Z1-4		6,0	6,0	6,0	6,0	6,0	6,0	7,0	7,0	9,0	9,0	9,0
BW		13,7	17,1	21,3	26,7	33,4	42,2	48,3	60,3	73,0	88,9	114,3
L1		22,5	22,5	22,5	27,5	34,0	42,5	52,0	63,5	85,5	102	128,5

Overnevnte informasjon er etter vår kunnskap korrekt, men vi forbeholder oss retten til endringer uten nærmere varsel.